

# Hydrogen Break-away Coupling

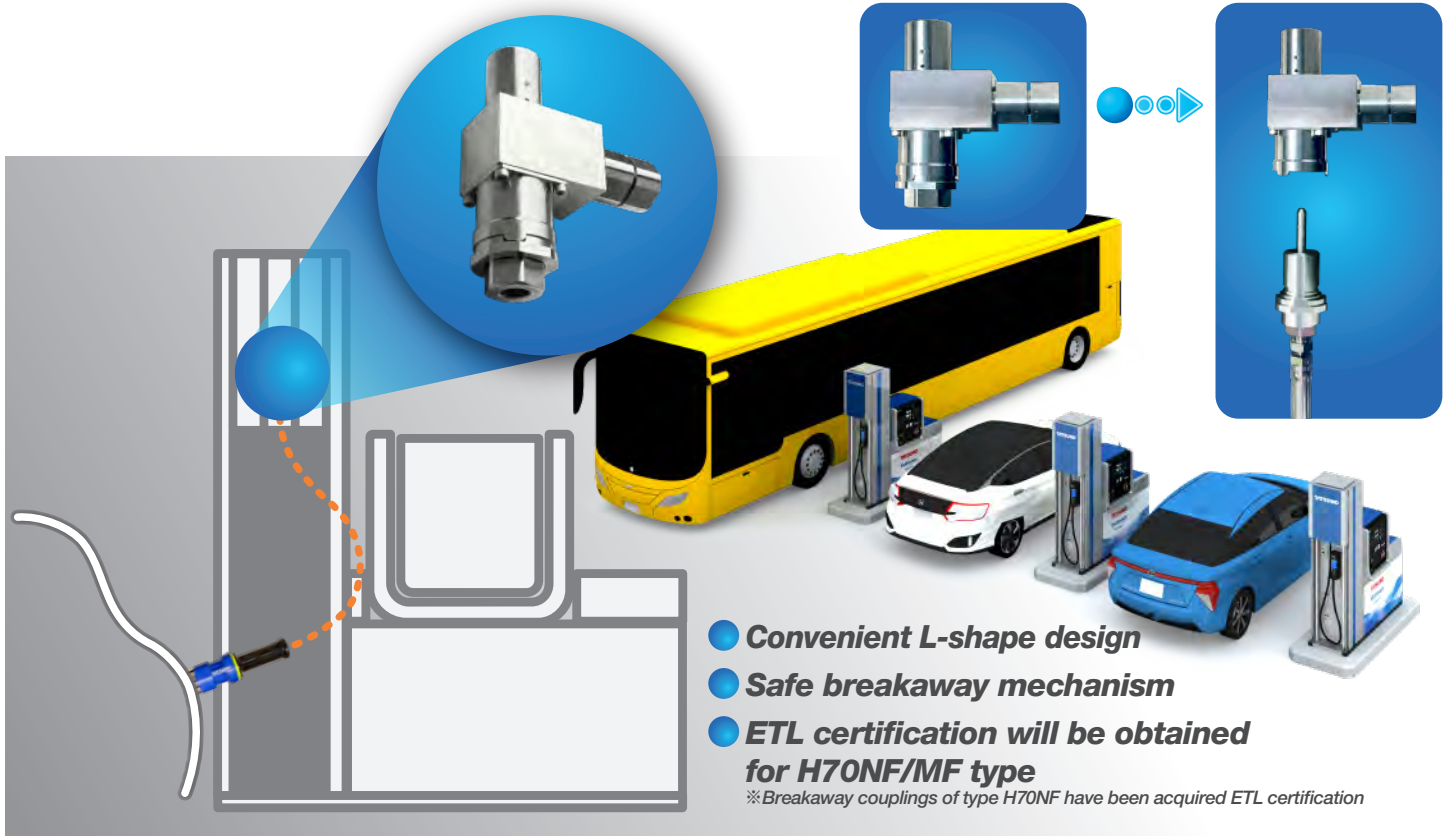


**TATSUNO**



In Innovation, In Reliable Services

# Break-away Coupling (for high-pressure hydrogen)

- **Safety break-away coupling prevents damage to dispensers and the release of gas into the environment in unexpected situations, such as operation mistakes after filling.**



## Product Lineup

| Flow Rate         | NF / MF   | HF  |
|-------------------|---|---|
| Model             | H70   | H70   |
| Appearance        |  | <br><b>Sample exhibition</b> |
| Dimensions (mm)   | W147 × D60 × H191.5   | W144 × D70.5 × H209   |
| Mass              | 4.5kg   | 5.0kg   |
| Maximum flow rate | 90g/sec   | 300g/sec  |
| Remarks           | Silencer, filter with standard equipment  | Equipped silencer   |



### Hydrogen Business Department

1-1, Kasama 4-Chome, Sakae-Ku, Yokohama, 247-8570, Japan  
 Telephone: +81-(0)50-9002-0723 Fax: +81-(0)45-891-1414

<https://tatsuno-corporation.com>

